

Project: _____
 Date: _____

Backer Board: 7/16 osb backerboard provides dimensional stability, eliminates warping found with plywood.

Foam Core: 100 ILD foam filler, glued to backer board, with vonar interliner

Vinyl Cover: 14 oz. reinforced polyester laminated fire retardant, rot and tear resistant, antifungal. Stapled to backerboard. Staples exposed on nailer margin.

finish: crush embossing(leatherette) or matte

Tear strength: 75 x 75

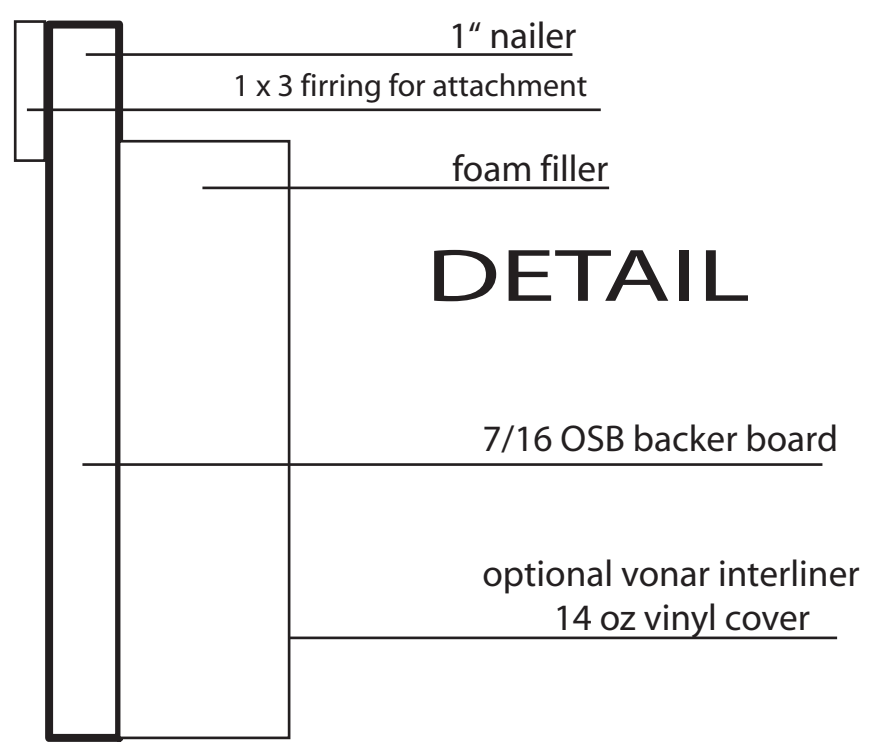
tensile strength: 220 x 220 lbs./in.

1" nailers top and bottom

Standard installation: 1 5/8 inch drywall screws through nailer margins into furring strips. Reinforced with construction adhesive.

NCI

VINYL AND CANVAS



DETAIL